



Drafting Virtual Learning

**HS Mechanical Drafting
Design Lesson 2**

April 7 , 2020

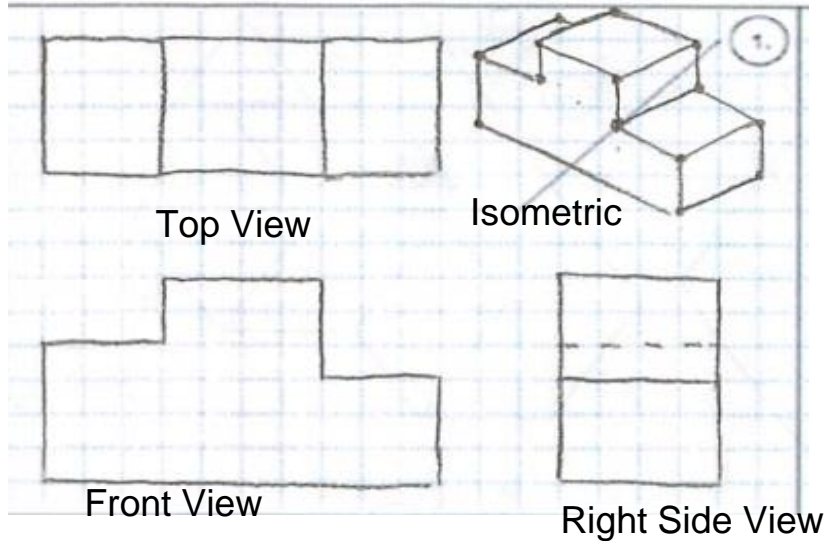


Objective/Learning Target:

Students will continue to Draw Complex Multi-View Sheet Drawings with Isometrics.

Bellwork:

This example should be copied in your engineers notebook or on graph paper. Make sure you layout a Multi-View Sheet Drawing like this.



Multi-View Drawing Example

Let's Get Started:

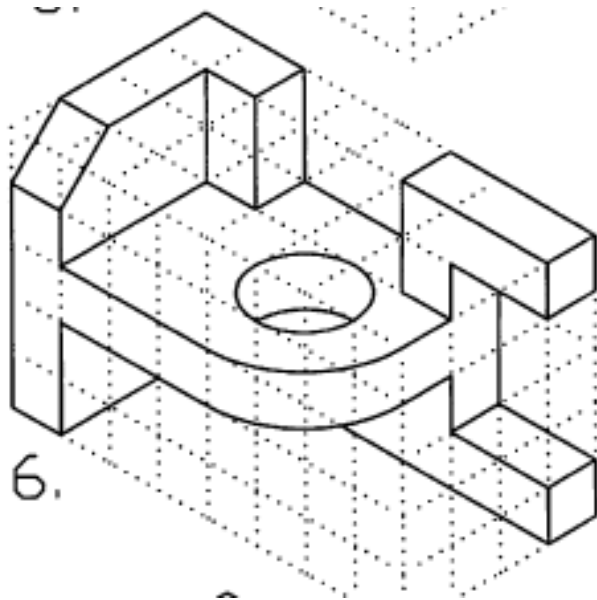
This video showed how to create multi-view drawings.

<https://www.youtube.com/watch?v=Evqg0L4KMI8>

Notice the placement of the Front, Top and Right Side Views in relation to the Isometric.

Learning Practice:

Create a Multi-View Sheet Drawing
in Your Engineers Notebook or on the graph that you print
from page 7 or the link provided on page 8.



Check For Understanding:

Does your drawing look like this?

(Hint: USE dots to mark the ends of your lines)

Don't Forget Your centerlines

Top View

Front View

Right Side

ISOMETRICS ARE CHALLENGING ON Graph Paper. Go Slow, Draw Lite, Erase.

FEEL FREE to PRINT ISOMETRIC Paper to USE.

Don't Worry about SCALE

NAME	MR LEUTZINGER	TITLE	Multi-View Lesson 2	DATE	4/17/2020	PERIOD	
------	---------------	-------	---------------------	------	-----------	--------	--

NAME

TITLE

DATE

PERIOD

Learning Resource Links:

Multi-View Drawing Creation

<https://www.youtube.com/watch?v=Evqg0L4KMI8>

Grid and Isometric Graph paper

https://www.printablepaper.net/category/isometric_graph